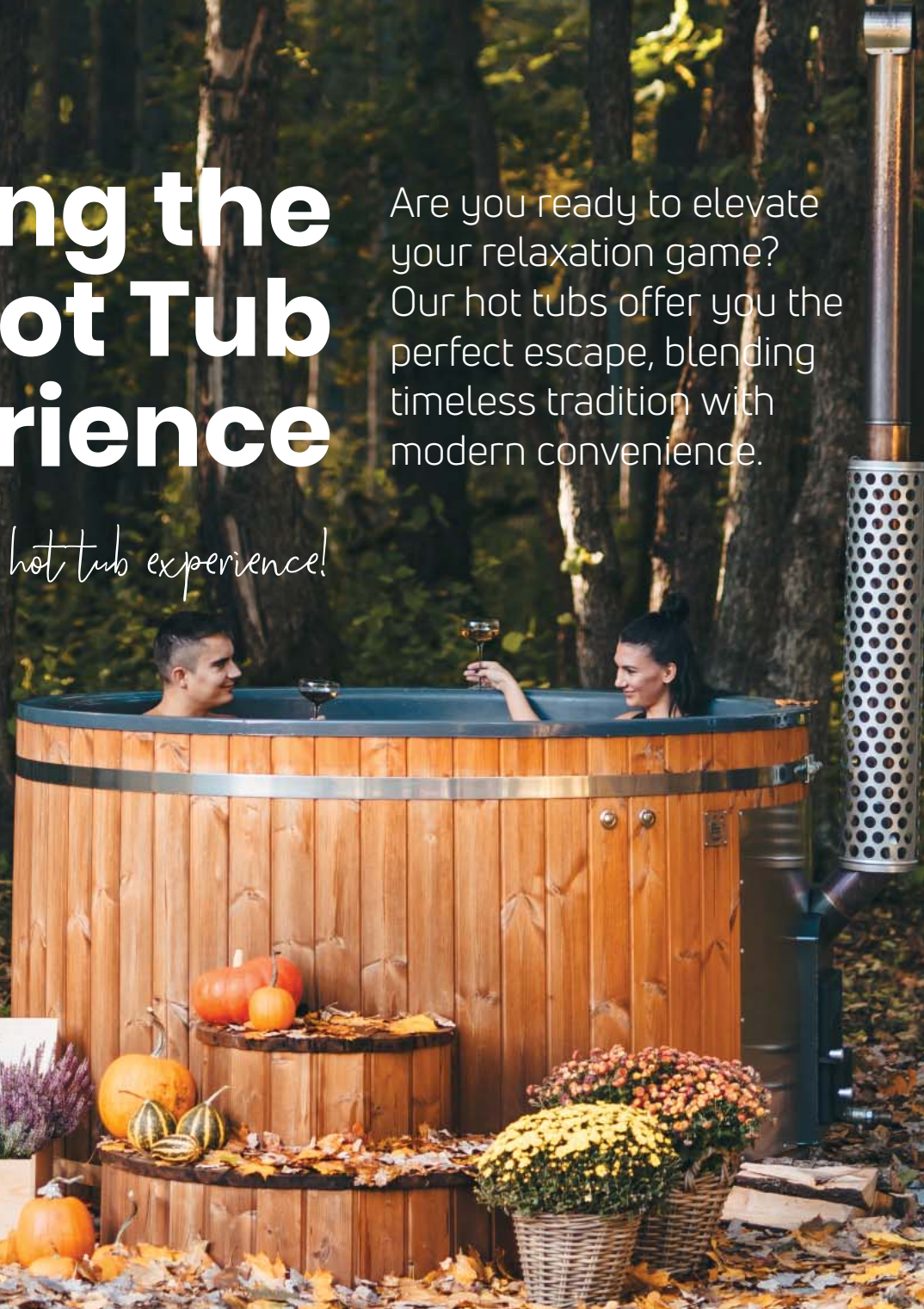


Introducing the Ultimate Hot Tub Experience

Say hello to the ultimate hot tub experience!

Are you ready to elevate your relaxation game? Our hot tubs offer you the perfect escape, blending timeless tradition with modern convenience.



thenordicsauna.com



Key Features and Specifications of Our Hot Tub

Dimensions: External Diameter: 200 cm, Internal Diameter: 180 cm, Height from the Ground: 120 cm.

Built-in Stove: The hot tub comes with an integrated marine aluminum stove for efficient heating.

Stainless Steel Chimney: Designed for maximum heat and efficiency. Includes a rain cap and heat protection for the chimney.

Deep Fiberglass Interior: With an impressive 100 cm depth, our self-manufactured fiberglass interior is deeper than competitors, comfortably accommodating even taller bathers with shoulders comfortably submerged. Plus, it shields your neck from chilly drafts during colder weather, keeping you cozy.

Comfortable Capacity: Accommodates 6 people comfortably, with the flexibility to fit more if needed.

Ergonomic Design: Features an ergonomic, back-supporting fiberglass interior for added comfort.

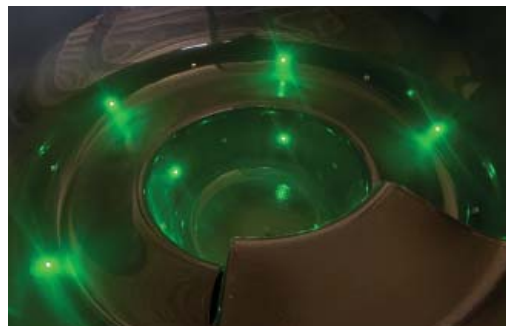
Comfort-Enhancing Upper Edge: The fiberglass inner lining features a generous 10 cm width along its upper edge, providing enhanced comfort for resting your hand, facilitating seating convenience, or conveniently holding your drinks.

Raised Seating Area: Above the stove, which can be used for cooling off or as a children's seat.

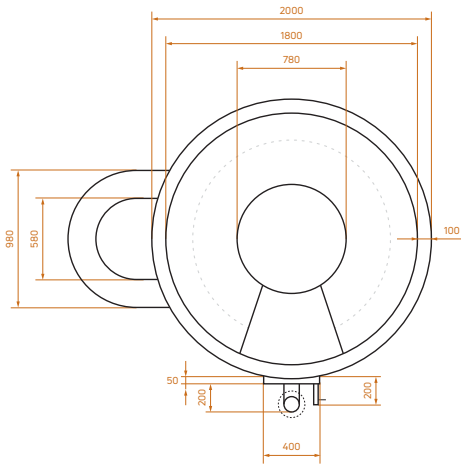
Water Drainage: Convenient external water drain tap allows you to direct water where needed, even for watering plants.

Solid Wood Body: The hot tub boasts a solid wood body with an impressive thickness of 45 mm, making it exceptionally durable.

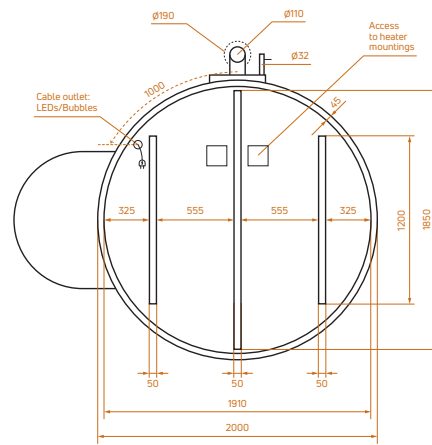
Solid Bottom: Unlike many other models on the market, our hot tub has a solid bottom with a thickness of 28 mm.



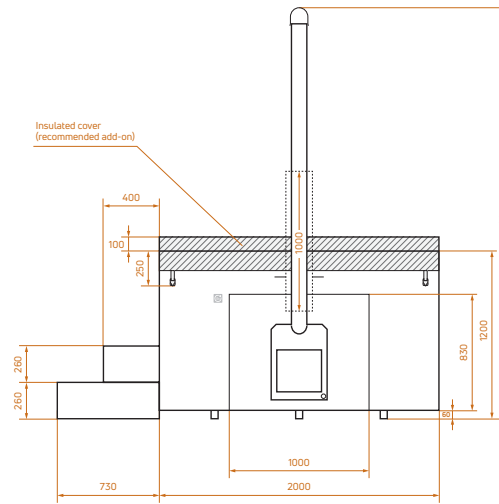
Drawings of the Hot Tub



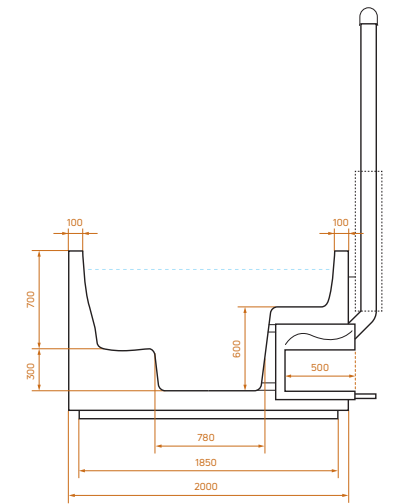
TOP



BOTTOM



FRONT



INSIDE

Built to Last

In a market where quality is often compromised, our hot tub stands as a beacon of excellence. We take no shortcuts in ensuring top-notch craftsmanship and materials.

No Exceptions in Quality: At every step of the production process, we uphold the highest standards of quality. From the selection of materials to the meticulous craftsmanship, our hot tubs are built to exceed expectations.

Highly Efficient Marine Aluminium Stoves: Our stoves are constructed with marine-grade aluminum, a material that conducts thermal energy 15 times better than stainless steel. This exceptional conductivity ensures rapid and efficient heating of your hot tub.

Fiberglass Inner Lining for Enhanced Longevity: The interior of our hot tubs features a fiberglass lining, renowned for its resilience against the elements and resistance to cracking or deteriorating over time. This additional layer of protection ensures the longevity of your hot tub investment, even in challenging weather conditions, providing you with years of uninterrupted relaxation.

Thermo-Treated Wood: Both the body and bottom are crafted from thermally treated wood (thermo-treated spruce) and further oiled for maximum durability in various climates.

Superior Weight and Durability: Unlike many hot tubs on the market that sacrifice quality for cost savings, our hot tubs boast a substantial weight of 300 kg. Many competitors opt for thinner shells and frames instead of solid bottoms to cut costs, resulting in hot tubs that weigh half as much compromising longevity and thermal insulation. Our commitment to using quality wood and solid construction not only ensures durability but also enhances thermal insulation.





Outstanding Thermal Insulation

Our hot tub features a unique 45 mm thick solid wood body and a sturdy 28 mm thick bottom, ensuring exceptional durability and top-tier thermal insulation, while also forming an insulating air pocket between the fiberglass interior and the body. This innovative design excels at heat retention, particularly in colder weather, enhancing the overall hot tub experience. Importantly, our technique not only eliminates the need for additional polyurethane foam insulation but also proves more cost-effective than adding polyurethane foam to competitors' hot tubs.

Innovative Water Management

Designed without the need for a drain trap, the tub and stove both empty through the same tap for added convenience. This clever design ensures that both the hot tub and stove water are efficiently emptied through the same external water drain tap, allowing you to direct water where needed, even for watering plants. It provides you with an effortless and eco-friendly solution for managing water.

Optimal Stove Placement for Heating Efficiency and Durability

Our hot tub's thoughtfully engineered design doesn't stop at insulation and material quality; it also extends to the strategic placement of the integrated stove. In colder weather, the thick shell and the insulating air pocket surrounding the stove play a pivotal role in maximizing the stove's heating efficiency. Unlike external stoves commonly found in other models, our integrated stove is nestled within the warm air pocket created by the insulation. This placement ensures that the stove operates at its highest efficiency, as it functions as a water barrel where the fire resides. With the stove situated inside the warm air pocket, it utilizes the heat more effectively, ultimately leading to a more efficient and enjoyable heating experience. Additionally, during freezing temperatures, this placement reduces the likelihood of the stove freezing and cracking, further enhancing its durability and longevity.





Additional Extras

Insulated Cover: Our polyurethane cover enhances your comfort in multiple ways. It offers unmatched heat retention compared to PVC or plastic covers, ensuring your hot tub stays warm and inviting. Additionally, its design allows for easy opening by folding one half onto the other, providing convenient access to the water when needed, whether it's for checking water temperature or gently stirring.

Rounded Staircase: Easy access and style combined.

LED Lighting: Set the mood with eight subtle spots, ensuring a more pleasant and uniform illumination compared to a single light source.

Bubble System: Eight spots for the ultimate relaxation experience.

Video Demonstrations



Demo Video of Hot Tub



Demo Video of Hot Tub with Bubble System

Note: Bubble system units are discreetly hidden inside the body of the hot tub. The external device shown in the video is the filtration system.



Video Showcasing LED Lighting with 8 Elements

Delivery Time

Currently estimated at
up to 4 weeks.

*Ready to transform your leisure time
into an extraordinary experience?*

Contact us today!

+372 6 188 098

info@thenordicsauna.com

www.thenordicsauna.com



thenordicsauna.com